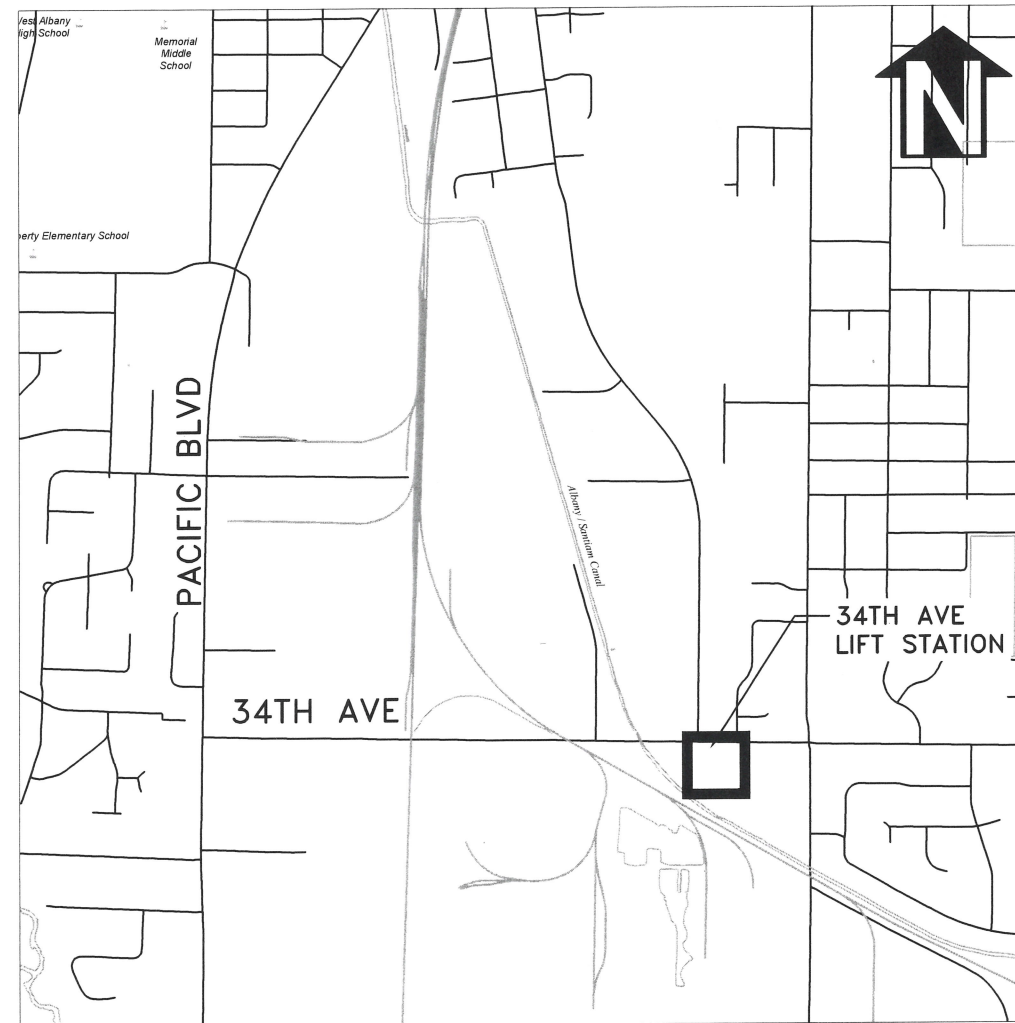


CITY OF ALBANY

WWTP-24-03, 34TH AVE LIFT STATION IMPROVEMENTS

SHEET INDEX	
Sheet Number	Sheet Title
1	COVER
2	Site Plan
3	Details



Vicinity Map
Not to Scale

GENERAL NOTES

1. ALL CONSTRUCTION SHALL CONFORM TO THE CITY OF ALBANY STANDARD CONSTRUCTION SPECIFICATIONS AND ASSOCIATED STANDARD DRAWINGS. THE CURRENT VERSION OF THE CITY OF ALBANY STANDARD CONSTRUCTION SPECIFICATIONS CAN BE FOUND ON THE CITY'S WEBSITE AT WWW.CITYOFALBANY.NET.
2. UTILITIES SHOWN ARE FOR REFERENCE ONLY. FOR A FIELD LOCATE, CALL THE UTILITIES NOTIFICATIONS CENTER AT 1-800-332-2344.
3. OPERATING ACCESS FOR CITY MAINTENANCE PERSONNEL TO EXISTING AND NEW WATER VALVES AND MANHOLES SHALL BE CONTINUOUSLY MAINTAINED BY THE CONTRACTOR DURING ALL CONSTRUCTION ACTIVITIES.
4. CONTRACTOR SHALL VERIFY ALL EXISTING PIPE ELEVATIONS, PIPE DIAMETERS, AND PIPE MATERIALS AT CONNECTION AND ABANDONMENT LOCATIONS PRIOR TO CONSTRUCTION. ANY DISCREPANCIES SHALL BE REPORTED TO ENGINEER PRIOR TO BEGINNING WORK.
5. ATTENTION: OREGON LAW REQUIRES YOU TO FOLLOW RULES ADOPTED BY THE OREGON UTILITY NOTIFICATION CENTER. THOSE RULES ARE SET FORTH IN OAR 952-001-0010 THROUGH OAR 952-001-0090. YOU MAY OBTAIN COPIES OF THE RULES BY CALLING THE CENTER. (NOTE: THE TELEPHONE NUMBER FOR THE OREGON UTILITY NOTIFICATION CENTER IS (503) 232-1987).
6. CONTRACTOR SHALL BE RESPONSIBLE FOR PROPER INSTALLATION AND MAINTENANCE OF ALL EROSION PREVENTION SEDIMENT CONTROL (EPSC) MEASURES IN ACCORDANCE WITH LOCAL, STATE, AND FEDERAL REGULATIONS UNTIL ALL CONSTRUCTION IS COMPLETED AND APPROVED BY THE CITY OF ALBANY, AND VEGETATION/LANDSCAPING IS ESTABLISHED. FOR GUIDANCE, REFER TO THE CITY OF ALBANY EPSC MANUAL WHICH CAN BE FOUND AT www.cityofalbany.net.

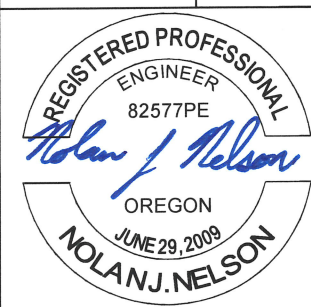
DESIGNED: N. NELSON
 DRAWN: N. NELSON
 CHECKED: S. BELCASTRO
 DATE: 4/16/2024

REVISIONS	
NO.	BY:

PUBLIC WORKS DEPARTMENT
ENGINEERING SERVICES



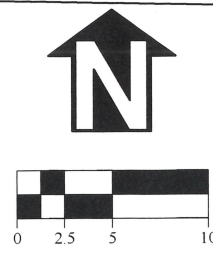
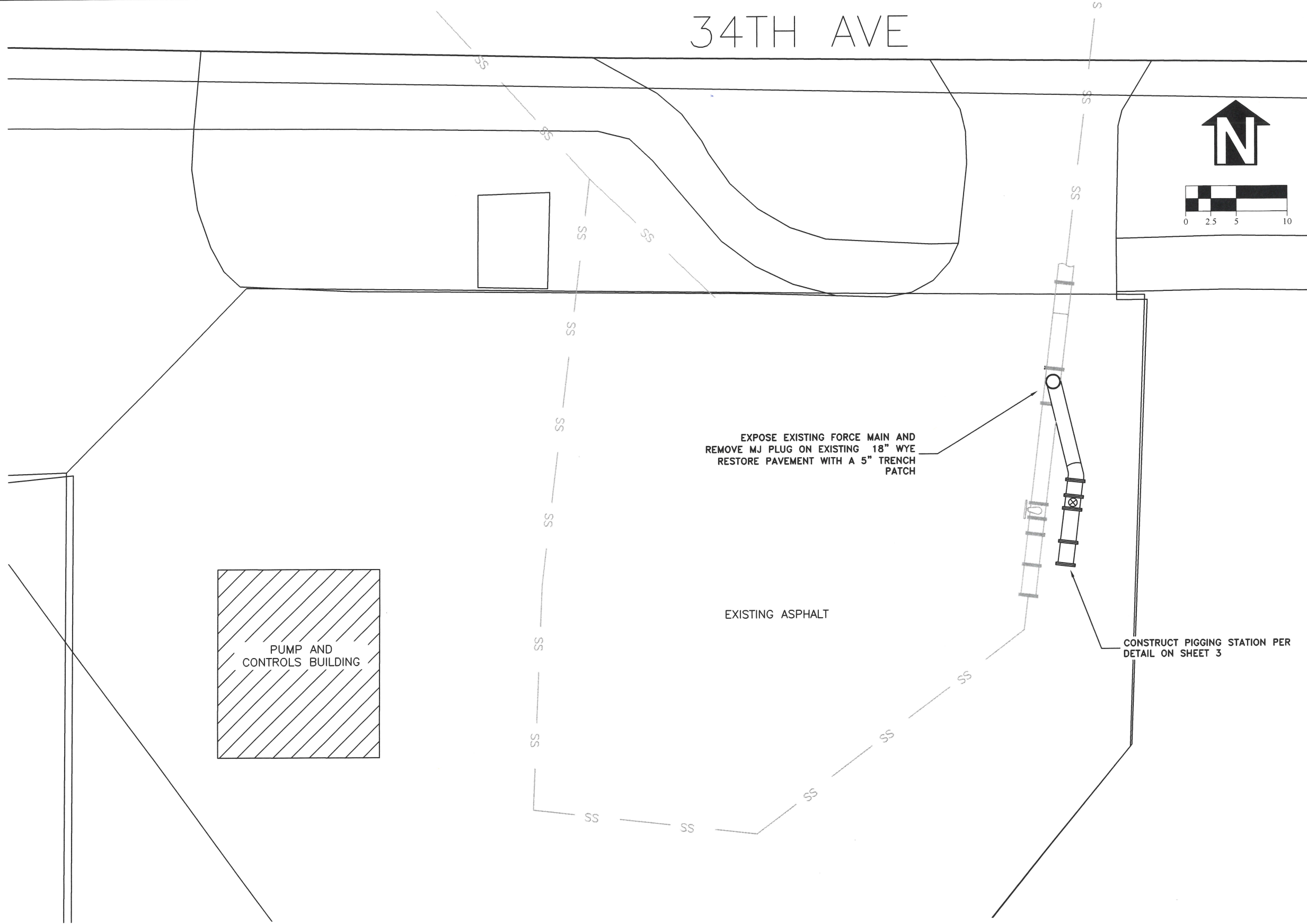
WWTP-24-03, 34TH AVE LIFT STATION IMPROVEMENTS



EXPIRATION DATE: 12/31/2024


SHEET NO. 1 OF 3
 PROJECT NO: WWTP-24-03
 FILE: FILENAME.DWG

34TH AVE



DESIGNED: N. NELSON	REVISIONS
DRAWN: N. NELSON	NO: ---
CHECKED: S. BELCASTRO	BY: ---
DATE: 4/16/2024	---

PUBLIC WORKS DEPARTMENT
ENGINEERING SERVICES



WWTP-24-03, 34TH AVE LIFT STATION IMPROVEMENTS
SITE PLAN

REGISTERED PROFESSIONAL
ENGINEER
82577PE
Nolan J. Nelson
OREGON
JUNE 29, 2009
NOLAN J. NELSON

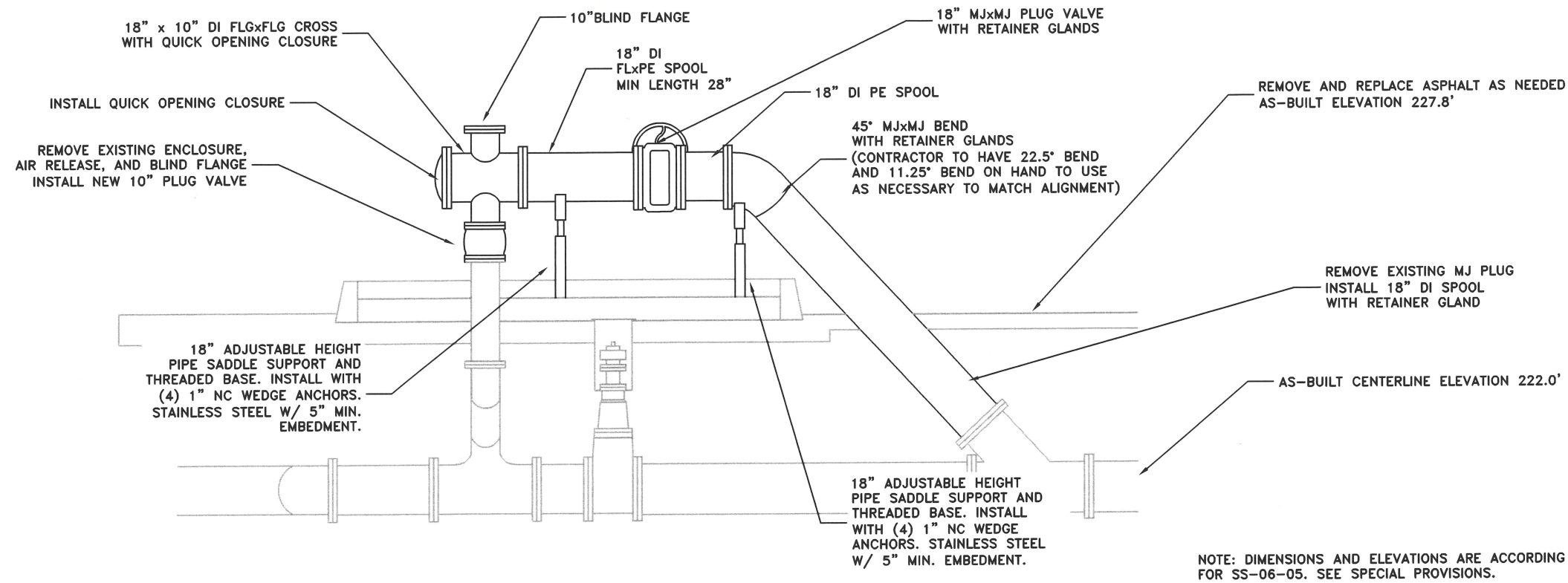
EXPIRATION DATE: 12/31/2024

SHEET NO. 2 OF 3

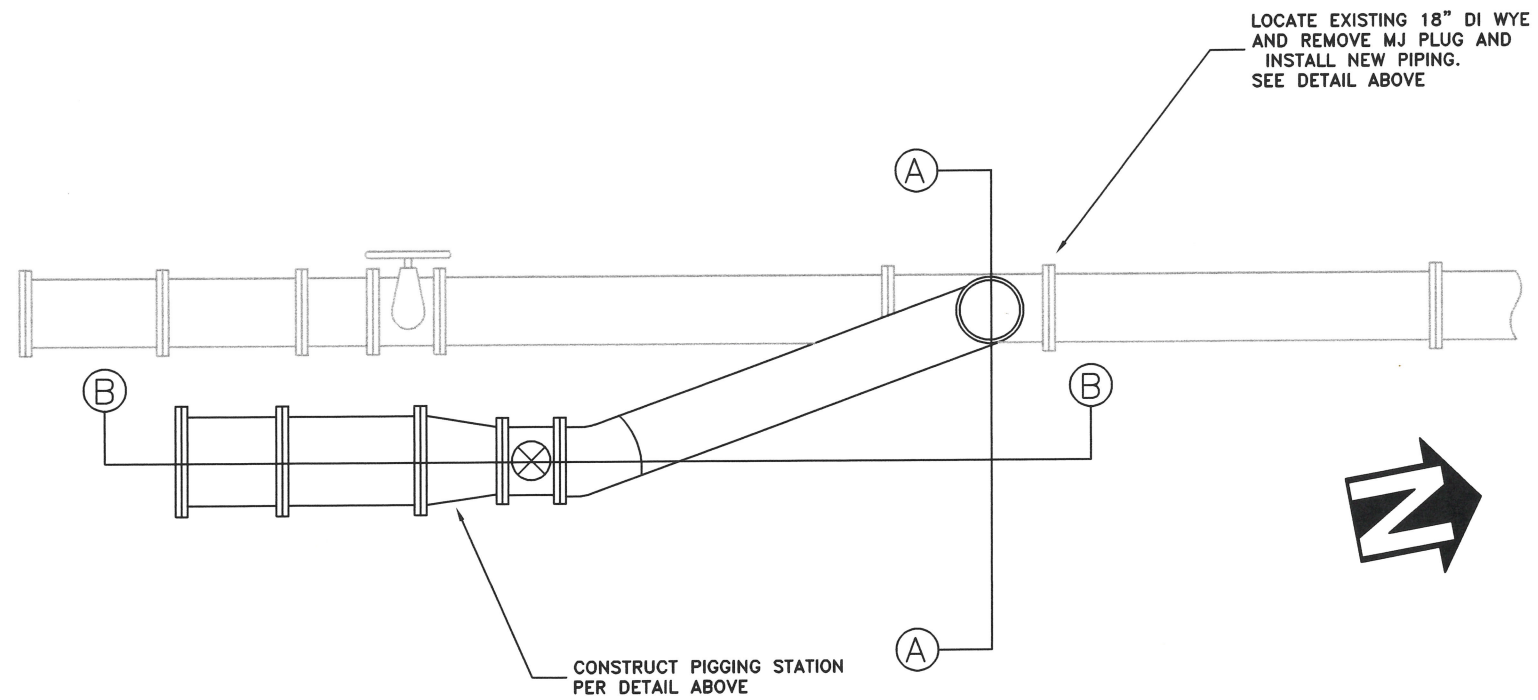
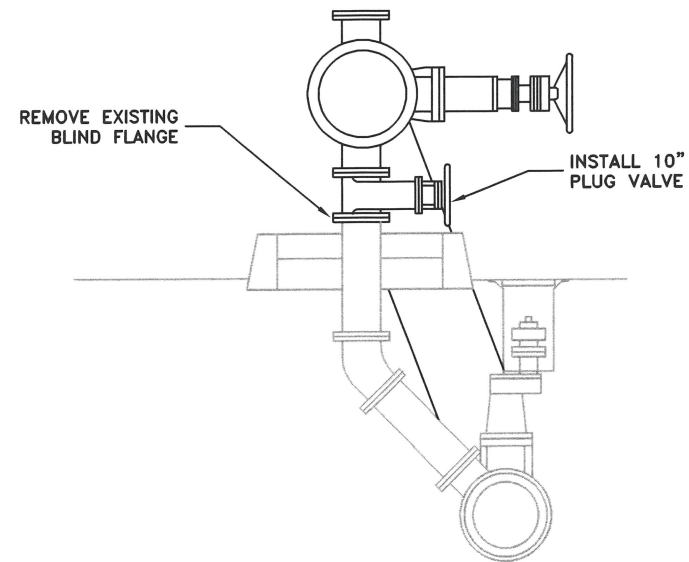
PROJECT NO: WWTP-24-03

FILE: BASE.DWG

DETAIL B-B (NOT TO SCALE)




DETAIL A-A (N.T.S.)



DESIGNED: N. NELSON	REVISIONS	NO:	BY:
DRAWN: N. NELSON			
CHECKED: S. BELCASTRO			
DATE: 4/16/2024			

PUBLIC WORKS DEPARTMENT
ENGINEERING SERVICES



WWTP-24-03, 34TH AVE LIFT STATION IMPROVEMENTS
DETAILS

REGISTERED PROFESSIONAL ENGINEER
82577PE
Nolan J. Nelson
OREGON
JUNE 29, 2009
NOLAN J. NELSON

EXPIRATION DATE: 12/31/2024

SHEET NO. 3 OF 3
PROJECT NO: WWTP-24-03
FILE: BASE.DWG