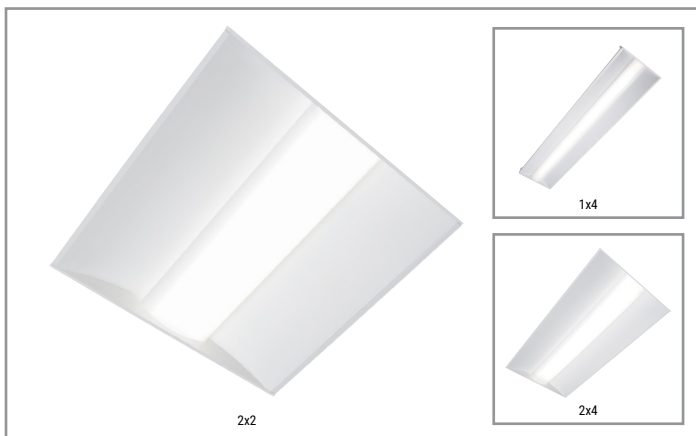


Project		Catalog #		Type	
Prepared by		Notes		Date	



# Metalux

## CZS Selectable Troffer

Cruze ST Selectable Lumens and CCT  
1x4 / 2x2 / 2x4

### Typical Applications

Offices • Education • Healthcare • Retail

**Interactive Menu**

- Order Information [page 3](#)
- Photometric Data [page 4](#)
- Product Warranty

### Product Certification



### Product Features

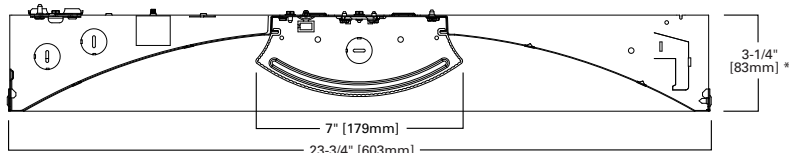


### Product Features

- Design friendly with (3) selectable color temperatures and (3) selectable lumen packages
- Latch-less design provides clean architectural look and feel
- Curved and square lens for an upgraded look
- Up to 156 LPW for increased energy savings and reduced watts per square foot

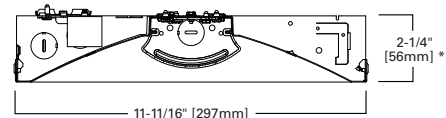
## Dimensional and Mounting Details

2x2 / 2x4



\*When combined with emergency total height is increased by 1 inch.

1x4



\*Battery option increases total height by 1 inch.

## Shielding Options



See ordering information for more shielding options.

[additional product diagrams](#)

## Non-configurable SKUs

Default CCT/Lumen Setting: 4000K/Medium

Size	Catalog	Lumen Setting	CCT	CRI (Min)	Delivered Nominal Lumens	Watts	Efficacy (lm/W)
2X2	22CZSCT3-UNV	Low	3000K	80	2717	21.4	127
			3500K	80	2979	20.6	145
			4000K	80	2887	21.4	135
		Medium	3000K	80	3271	27.1	121
			3500K	80	3652	26.1	140
			4000K	80	3479	27.2	128
		High	3000K	80	3609	30.8	117
			3500K	80	4074	29.7	137
			4000K	80	3833	31.2	123
2X4	24CZSCT3-UNV	Low	3000K	80	3500	24.7	142
			3500K	80	3737	23.9	156
			4000K	80	3728	24.7	151
		Medium	3000K	80	4766	35.1	136
			3500K	80	5166	33.7	153
			4000K	80	5073	35.3	144
		High	3000K	80	5972	46.7	128
			3500K	80	6579	44.4	148
			4000K	80	6341	46.8	135
1X4	14CZSCT3-UNV	Low	3000K	80	2964	20.9	142
			3500K	80	3167	20.3	156
			4000K	80	3169	20.9	152
		Medium	3000K	80	3658	26.5	138
			3500K	80	3921	25.7	153
			4000K	80	3899	26.5	147
		High	3000K	80	4089	30.3	135
			3500K	80	4401	29.1	151
			4000K	80	4362	30.3	144

## Shipping Data

Size	Wt.	Pallet Size	Pallet Qty.
2' x 2'	12.5 lbs.	49"L x 52"W x 55"H	48
2' x 4'	20.4 lbs.	49"L x 52"W x 46"H	28
1' x 4'	22 lbs.	52"L x 49"W x 53.5"H	32

## Product Specifications

### Construction

- Die formed of code gauge prime cold rolled steel with full length die-formed stiffeners
- Unibody endplates attached with interlocking tabs and screws
- Four auxiliary fixture end suspension points
- Integral Grid-lock feature for endplates for added safety
- Optional earthquake clips available

### Integrated Controls

- Standard 0-10V dimming driver down to 10%

### LED and Light Engine

- Selectable Color temperature choices 3000K, 3500K, and 4000K
- Selectable lumen output choices of low, medium, high
- TM21 life at 60,000 hours up to L94 and calculated L70 exceeds 290,000 hrs.
- Driver 120-277V Standard
- Default CCT/Lumen setting is 4000K and Medium Power

### Emergency Options

- Optional emergency battery available in 7W and 14W
- Self diagnostic 10W emergency battery option available
- 90-minute backup period for code compliance
- Factory installed integral test switch visible from room side
- Integral emergency transfer relay options available

### Finish

- Pre-paint matte white
- 90% reflective, matte white enamel finish
- Full fixture housing pre-painted matte white (choose PAF option for "Paint after Fabrication")

### Shielding

- Ribbed acrylic frosted lens standard
- Optional smooth acrylic frosted lens (S)
- Optional High-Efficiency Round Perf Inlay (HRP)
- Optional square ribbed frosted acrylic lens (SQR)

### Compliance

- IC rated for insulation contact
- cULus listed for damp locations
- RoHS compliant
- Tested to IESNA LM-79 and LM-80
- Stated life tested to TM21 standards

### Warranty

- Five-year limited warranty

## Configurable/Make-To-Order SKUs

SAMPLE ORDER NUMBER: **24CZSCT3-UNV-EL14W-PAL**

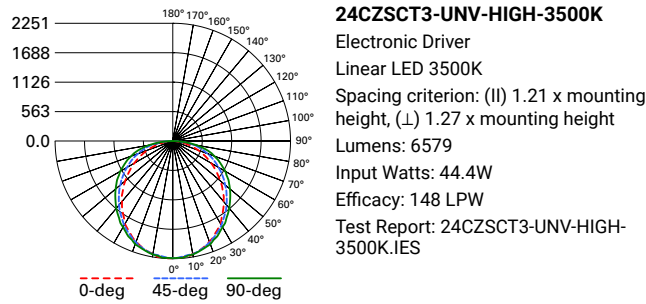
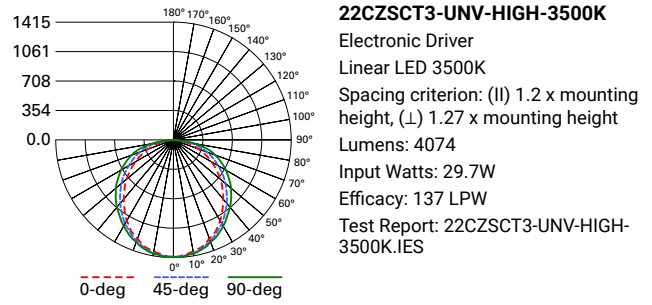
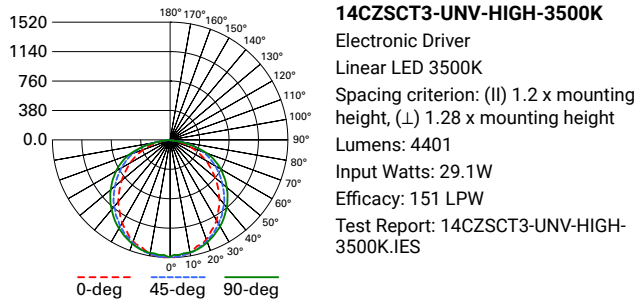
Domestic Preferences	Rating	Series	Air	Shielding
Domestic Preferences <sup>(1)</sup>	Rating	Series	Air	Shielding
<b>[Blank]</b> =Standard <b>BAA</b> =Buy American Act <b>TAA</b> =Trade Agreements Act	<b>[Blank]</b> =Standard <b>ATW-SW4</b> = Chicago Rated <sup>(2)</sup>	<b>14CZSCT3</b> =1' x 4' Cruze ST Selectable <b>22CZSCT3</b> =2' x 2' Cruze ST Selectable <b>24CZSCT3</b> =2' x 4' Cruze ST Selectable	<b>[Blank]</b> =Standard <b>A</b> =Air (Vented) <sup>(3)</sup>	<b>[Blank]</b> =Ribbed Frosted Acrylic Lens (standard) <b>S</b> =Smooth Frosted Acrylic Lens <b>HRP</b> =High-Efficiency Round Perf Inlay <b>SQR</b> =Square Ribbed Frosted Acrylic Lens
<b>Notes</b> (1) Only product configurations with these designated prefixes are built to be compliant with the Buy American Act of 1933 (BAA) or Trade Agreements Act of 1979 (TAA), respectively. Please refer to <a href="#">DOMESTIC PREFERENCES</a> website for more information. Components shipped separately may be separately analyzed under domestic preference requirements.	<b>Notes</b> (2) No sensor or installed FLEX options available with ATW-SW4 option.	<b>Notes</b> <b>Selectable Lumens</b> (See table on pg. 2 for details) <b>1x4</b> -30L/40L/50L <b>2x2</b> -30L/40L/50L <b>2x4</b> -40L/50L/65L <b>Selectable Color</b> 3000K/3500K/4000K	<b>Notes</b> (3) Air version is intended for air return through plenum. See air return data table for air flow volumes. Air option not available with ATW-SW4.	

Voltage	Options / Emergency	Flex	Driver Type
Voltage	Options / Emergency	Flex <sup>(13)</sup>	Driver Type
<b>UNV</b> =Universal Voltage 120-277	<b>[Blank]</b> =Standard <b>GL</b> =Single Element Fuse <b>GM</b> =Double Element Fuse <b>EL7W</b> =7-watt 120V-277V emergency battery pack <sup>(8)</sup> <b>EL14W</b> =14-watt 120V-277V emergency battery pack <sup>(8)</sup> <b>EL10WSD</b> =Bodine 10W emergency battery pack with self diagnostic installed <sup>(8)</sup> <b>ETRD</b> =Iota Emergency Transfer Relay with dimming control <sup>(5)</sup> <b>PAF</b> =Painted After Fabrication	<b>[Blank]</b> =Standard <b>Dimming Flex</b> <b>A3/8-4/18GDIM</b> =Flex, hot, neutral, ground, 2 dimming leads <b>A3/8-5/18GDIM</b> =Flex, 2 hots, neutral, ground, 2 dimming leads <b>Non-Dimming Flex</b> <b>A3/8-2/18G</b> =Flex, hot, neutral, ground <b>A3/8-3/18G</b> =Flex, 2 hots, neutral, ground	<b>[Blank]</b> =Standard (0-10V Driver, 10%-100%)
	<b>Notes</b> (6) Used to bypass local control during outage. Must be used in conjunction with UL 1008 device (provided by others). ETRD option only requires one relay when used on a dimming fixture. 347 not available. (8) Factory installed with integral test switch/indicator/laser test. For approximate delivered lumens multiply the lumens per watt of the desired fixture by the wattage of the emergency battery pack (100 lm/W x 7=700 lumens). IES-format photometry for luminaire under emergency operation available. Battery option increases total height by 1 inch.	<b>Notes</b> (13) Multiple options available in online configurator. See additional notes on Flex below.  <b>Flexible Metal Conduit Options</b>  Flex options available for 0-10V dimming control, emergency and night light functions. 72-inch factory-installed and pre-wired to driver, fitted to luminaire housing access plate with 90° enclosed FMC connector. Not all options may be combined and installation ratings vary by type.	

Integrated Sensing Systems	Packaging	Accessories
Integrated Sensing Systems <sup>(15)</sup>	Packaging	Accessories (order separately)
<b>[Blank]</b> =No Sensor <b>WAA</b> =WaveLinX Wireless Integrated Sensor <sup>(A)</sup> <b>WAB</b> =WaveLinX Lite Wireless Integrated Sensor <sup>(B)</sup> <b>SVPD1</b> =0-10V Stand-alone Integrated Sensor <sup>(19),(D)</sup>	<b>[Blank]</b> =Standard (Unit Pack) <b>PAL</b> =Job Pack, out of carton <b>PALC</b> =Job Pack, in carton	<b>CZ2-EQCLIP-U-PK</b> =“CZ2” Earthquake Clip Kit (4 clips per bag kit) <sup>(20)</sup> <b>DF-14W-U</b> =1' x 4' Drywall Frame Kit <b>DF-22W-U</b> =2' x 2' Drywall Frame Kit <b>DF-24W-U</b> =2' x 4' Drywall Frame Kit <b>SK-22-WS</b> =2' x 2' Shallow Surface Mount Kit <b>SK-24-WS</b> =2' x 4' Shallow Surface Mount Kit <b>SK-14-WT</b> =1' x 4' Tall Surface Mount Kit <b>SK-22-WT</b> =2' x 2' Tall Surface Mount Kit <b>SK-24-WT</b> =2' x 4' Tall Surface Mount Kit
<b>Notes</b> (19) If the space remains unoccupied for half of the timeout period, the lighting will automatically reduce to the Energy Saver light level. This adjustable light level is typically half of the occupied daylight level. Integrated options must be used in conjunction with the associated system and may not be compatible with other options or accessories. Please refer to the following: (A) Consult WaveLinX system pages for additional details and compatibility. (B) WaveLinX Lite devices are not currently compatible with the WaveLinX Wireless Area Controller. Consult WaveLinX Lite system pages for additional details and compatibility. (D) Consult SVPD series system pages for additional details and compatibility.		<b>Notes</b> (20) An EQ Grid Clip is recommended for all 9/16" ceiling systems. Four required per fixture.

## Photometric Data

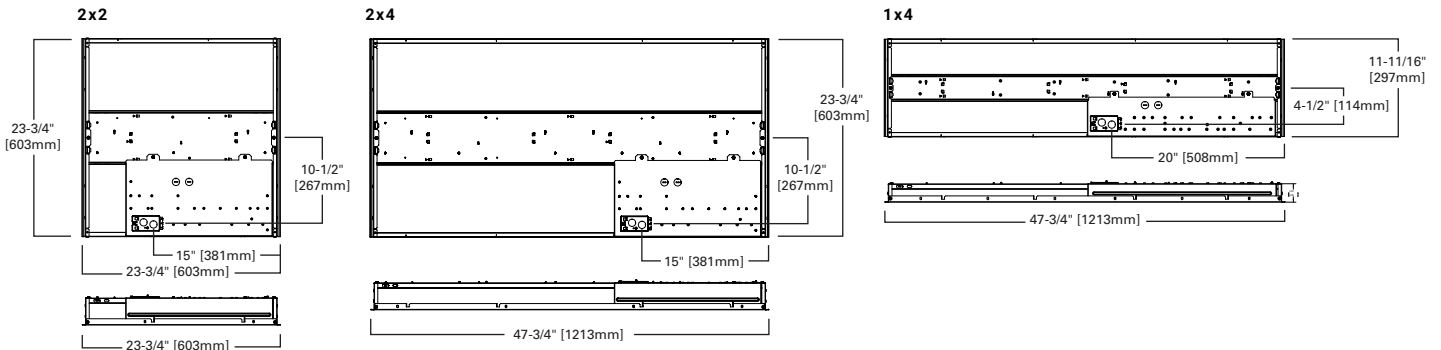
View IES files



### Shielding

Lumen Adjustment Factors		
S	HRP	SQR
1.05	0.81	0.96

## Dimensional and Mounting Details



## Ceiling Compatibility

